

LaserFly™

Precision weeding. Without chemicals.



Product description

LaserFly™ is a next-generation platform that combines advanced AI, computer vision, and a uniquely high-efficiency 100 W QCW laser to deliver chemical-free, soil-friendly weed and pest control. Designed as a modular and scalable solution, it pushes sustainable agriculture to the next level by offering targeted, laser-based treatment that preserves biodiversity and protects long-term soil health. Unlike conventional methods, Pantec's LaserFly™ stands apart from the competition with its unmatched precision and environmentally responsible operation—reducing chemical usage while ensuring consistent, high-performance results across diverse agricultural environments.

System integration

Designed for integration into various carrier vehicles, LaserFly™ scales from field trials to large scale agricultural operations.

Value for Farmers and Growers

- Significant reduction of herbicides and pesticides.
- Lower labour dependency through automation.
- Protection of soil structure and biodiversity.
- Compliance with tightening environmental regulations.
- Future-ready farming aligned with sustainability and Green Deal objectives.

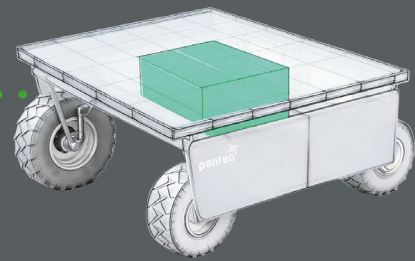
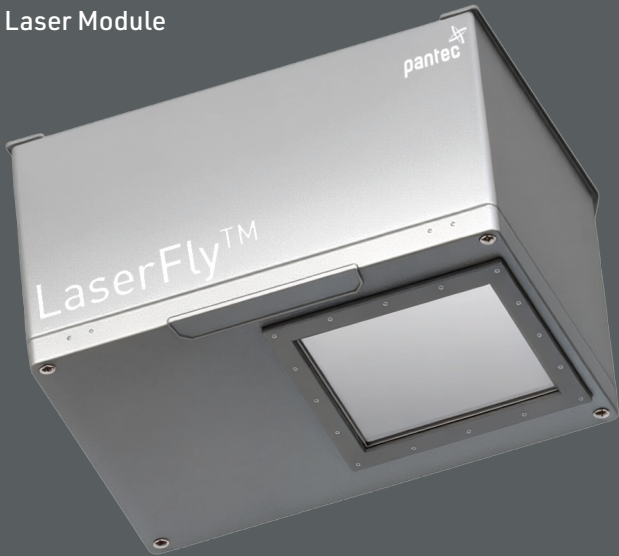
Specifications

- Dimensions: (330 × 230 × 190) mm³
- Weight: ~ 12,5 kg
- Interfaces: ISOBUS, Ethernet, RS232, WLAN, ROS 2
- Power consumption: <100 W

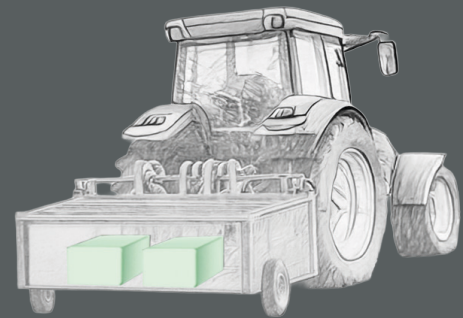
Performance

- 300 beetle larvae shots / min
- 150 small weed cuts / min
- Field of view: 90° H x 30° V

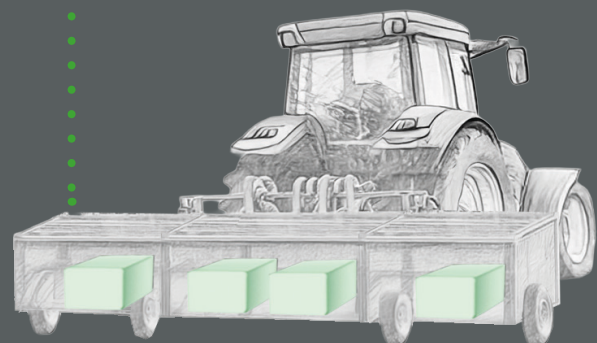
Laser Module



Autonomous Robot



2 Modules



4 Modules